



User Manual

Y series connects with sensors and VMF

Version: V1.2 Release Date: 2020.4.27

CATALOG

- CATALOG 2
- Guiding 3
 - Brief Introduction 3
 - Y series controller connects with sensor 3
 - Y series connects with relay 8
 - Y series connect with VMF 12

Guiding

Brief Introduction

There are several sensors ports on Y series playing box which can support brightness, temperature, humidity, smoke, etc. And Y series player can remotely control LED screen on ON/OFF part if connects with BX-VMF controller or relay module.

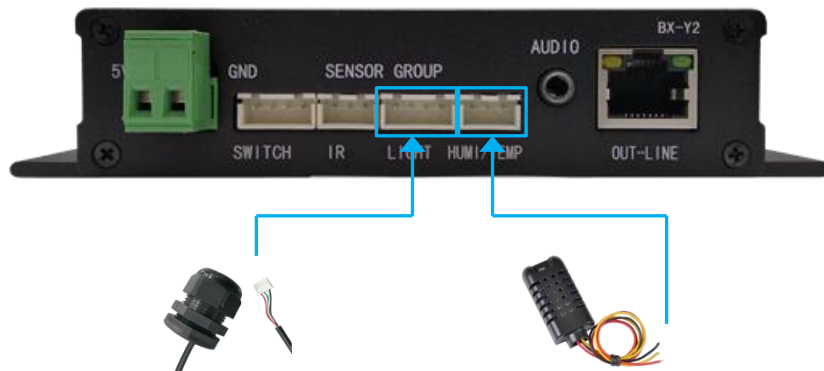
For connections, please check the below(Use our latest software):

Y series controller connects with sensor

Y2\Y2L\Y3 series port

1. Y2\Y2L\Y3 series connect with brightness or temp&humid sensor:

Please check the below picture, plug into the corresponding port with light and HUMI/TEMP.



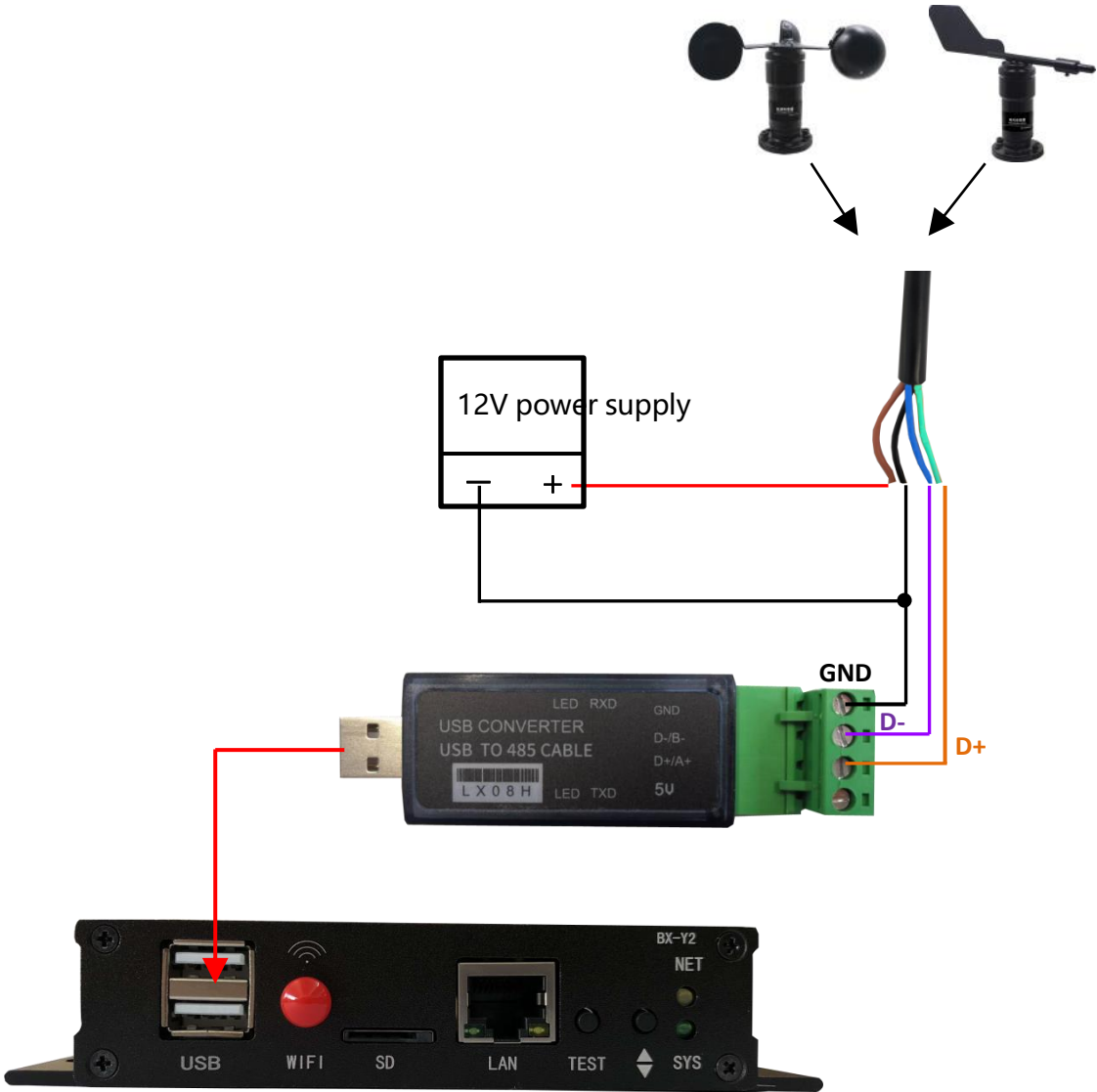
2. Y2\Y2L\Y3 series connect with environment sensor:

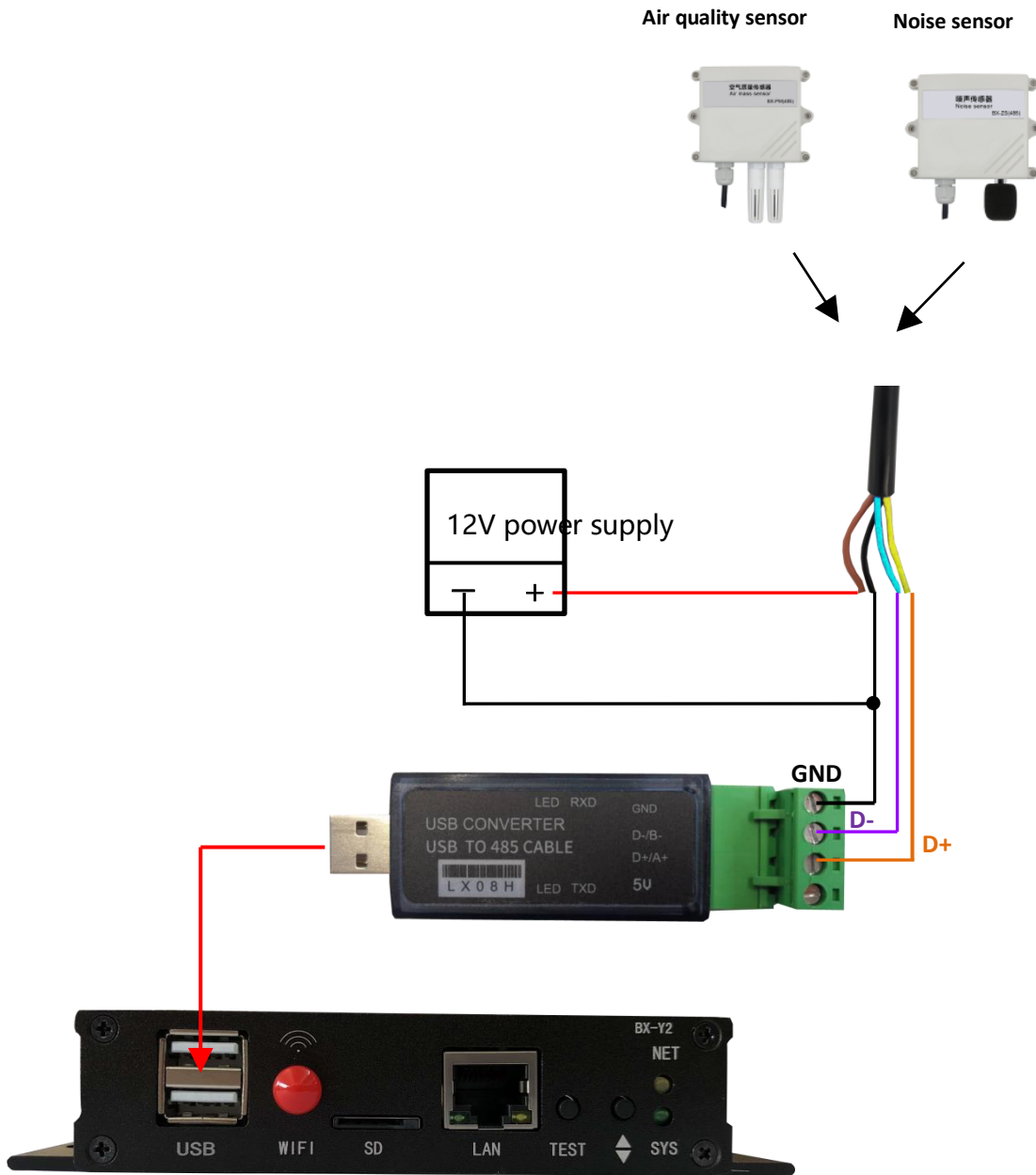
Connect wind speed sensor, wind direction sensor, air quality sensor and noise sensor with controller by “USB-RS485 converter”.

Wind speed sensor and wind direction sensor: GREEN - D+; BLUE - D-.

Air quality sensor and noise sensor: YELLOW -- D+; BLUE -- D-.

Note: need to connect 12V power supply for environmental sensor

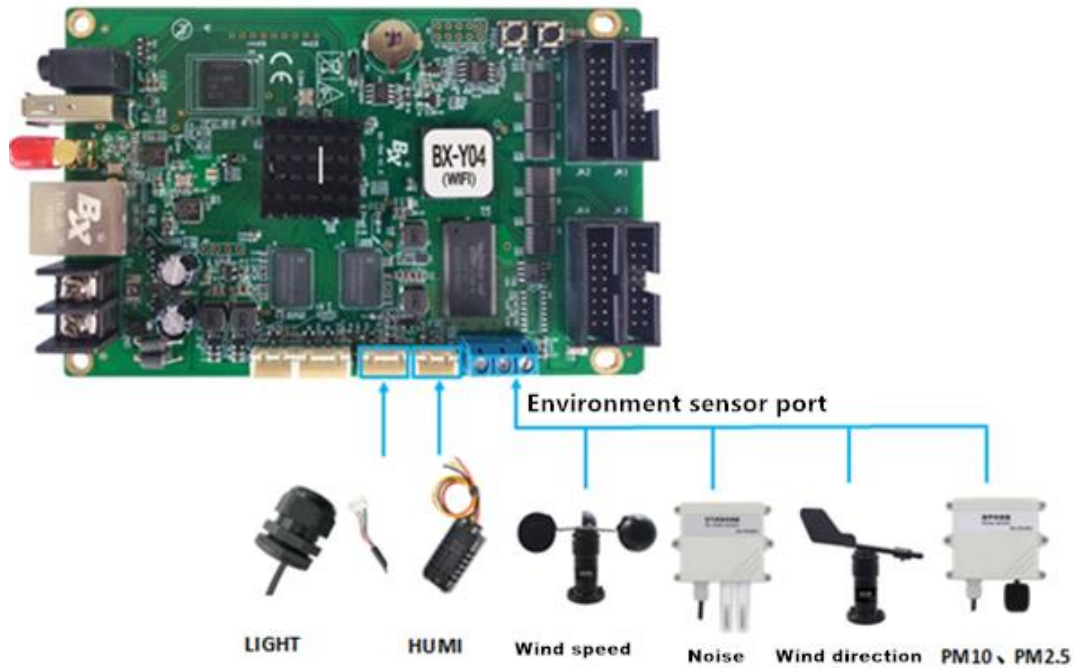




Y04\Y08 series port

1. Y04\Y08 series connect with brightness and temp&humid sensor:

Please check the below picture, plug into the corresponding port with light and HUMI/TEMP.



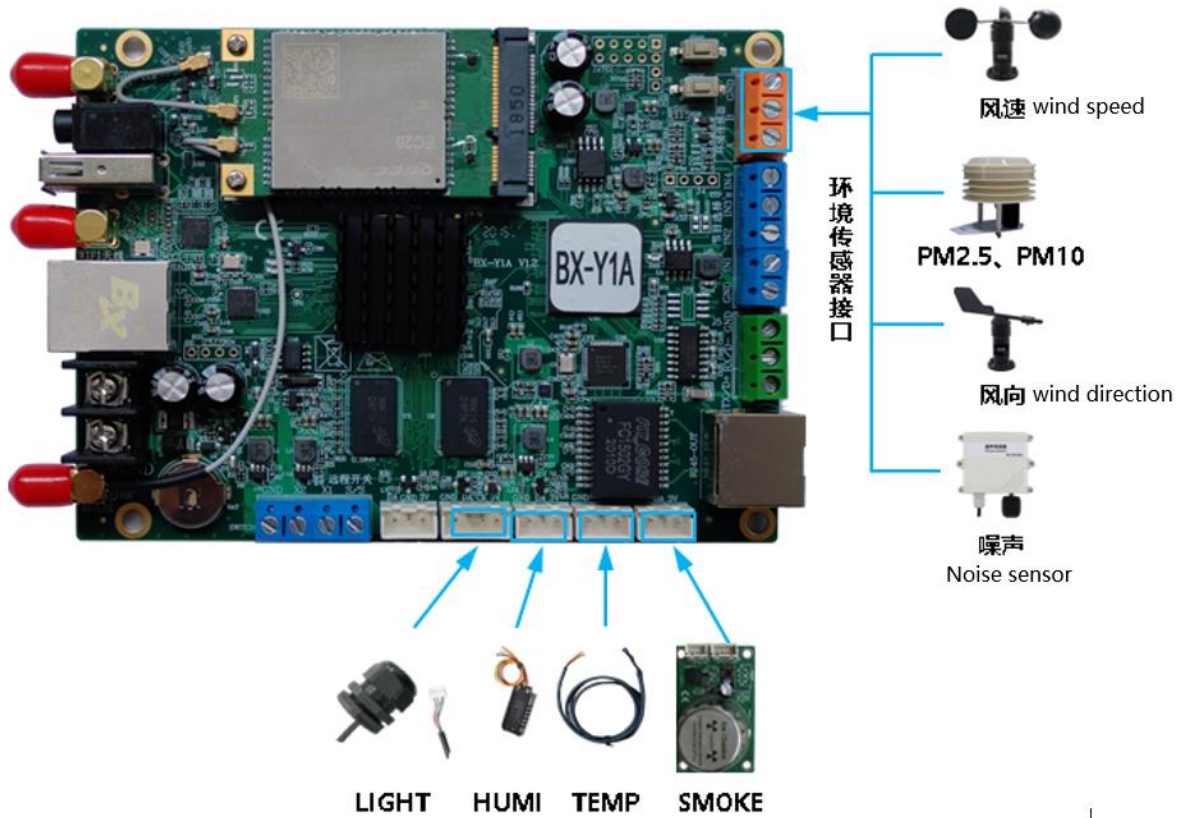
2. Y1A connects with environmental sensor:

Connect sensors with relative ports, brightness sensor – “LIGHT” , temperature & humidity – “HUMI” , temperature – “TEMP” , smoke sensor – “SMOKE” .

Wind speed and wind direction: Green – A; Blue – B; Black – GND.

Air quality and noise sensor: Yellow – A; Blue – B; Black – GND.

Note: environmental sensor need to connect with 12V power supply.

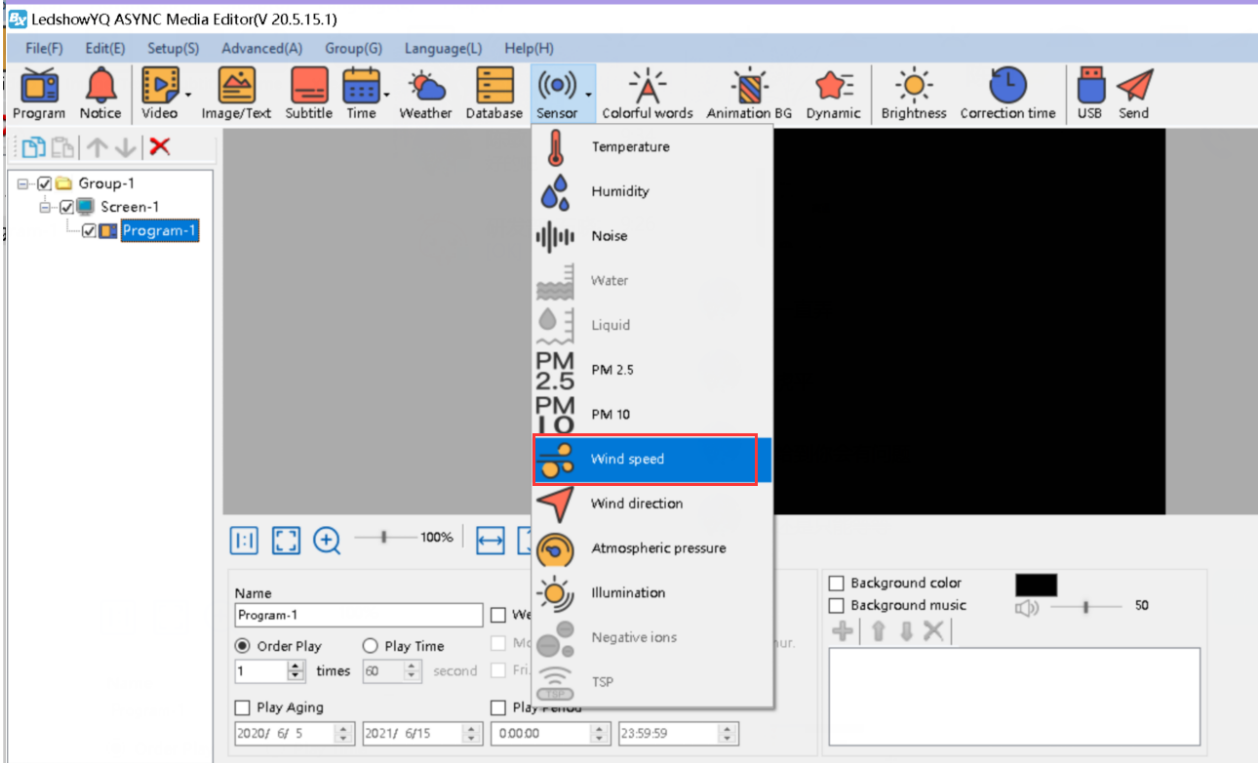


3. Add sensor in software

After connect with controller, please start LedshowYQ2018---Add a program---click

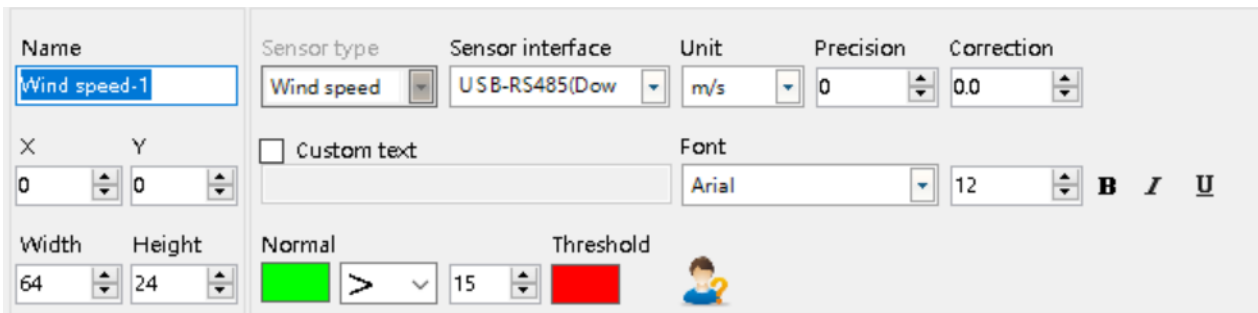


, as below:



4. Property of wind speed area

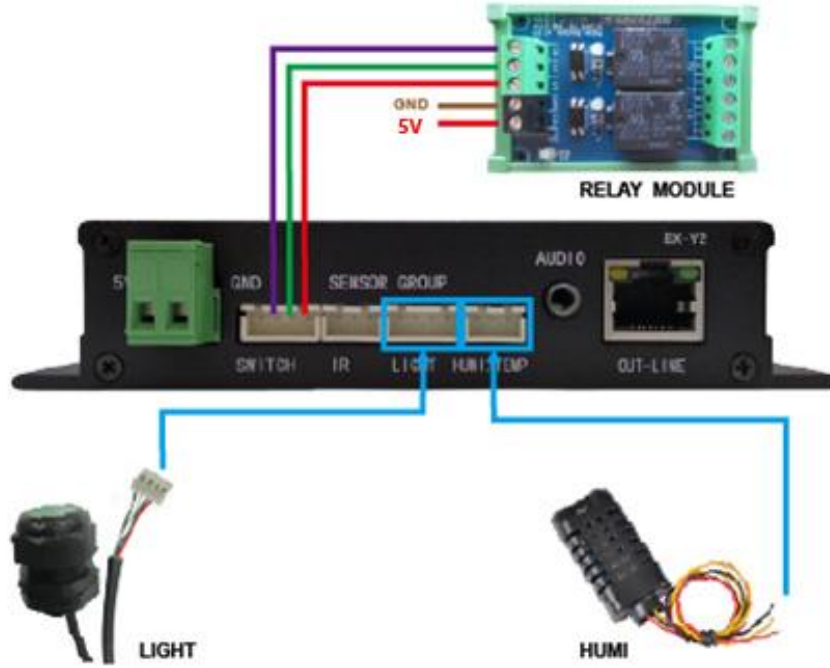
You can set sensor interface, unit, precision, correction, font and font size, warning value. As below:



Y series connects with relay

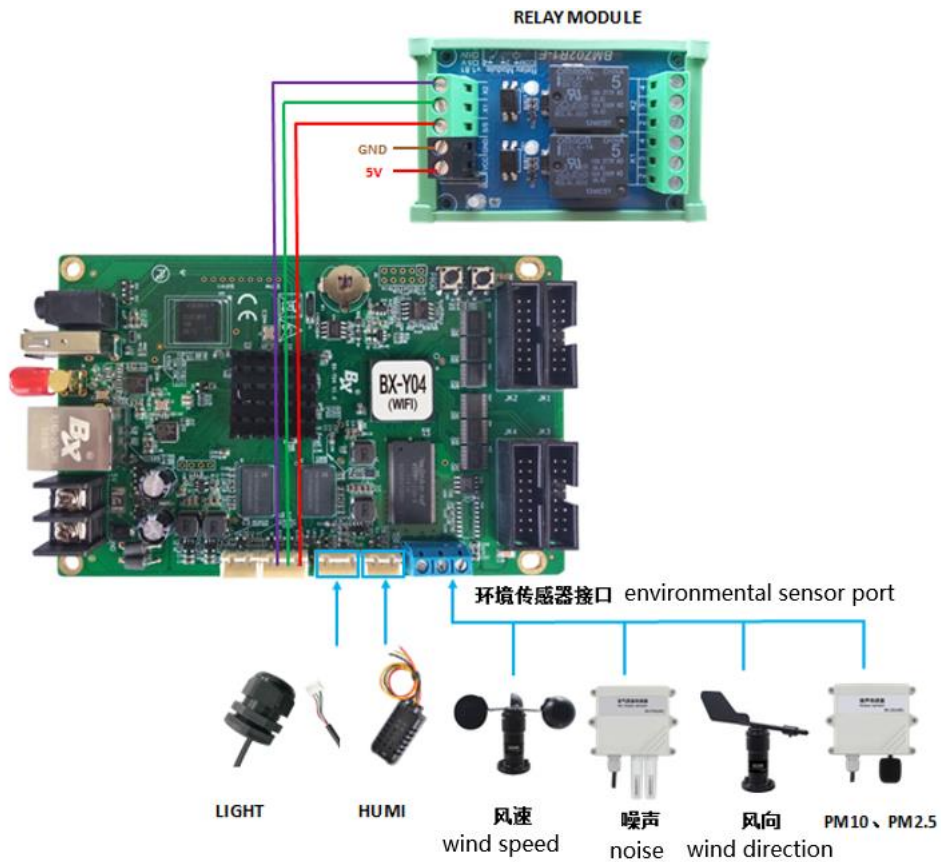
1. Y2\Y2L\Y3 series connect with replay module

Please check the below picture, connect S/S、X1、X2 ports on relay module with “switch” port on controller



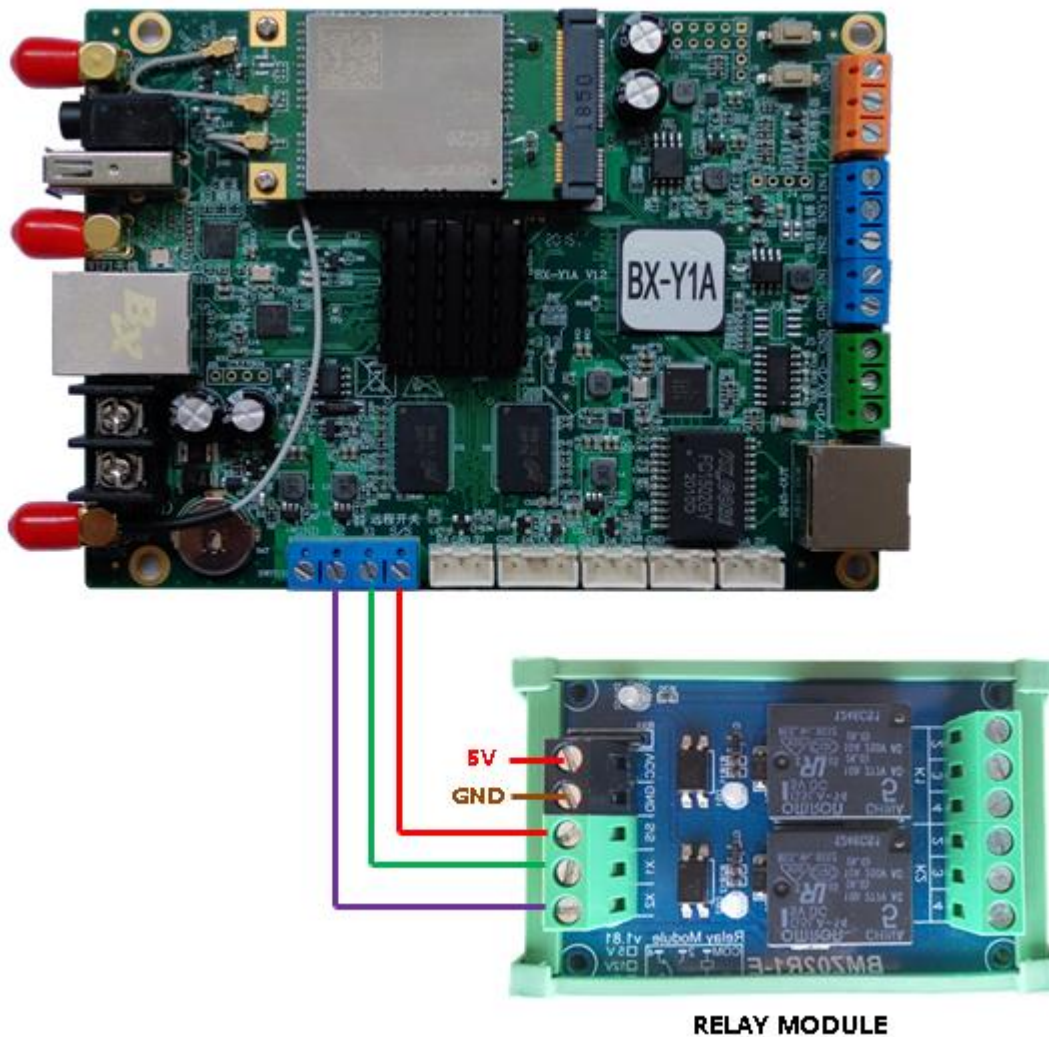
2. Y04\Y08 series connect with relay module:

Please check the below picture, connect S/S、X1、X2 ports on relay module with “switch” port on controller



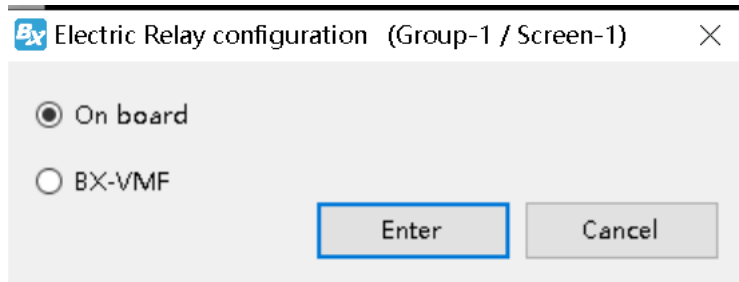
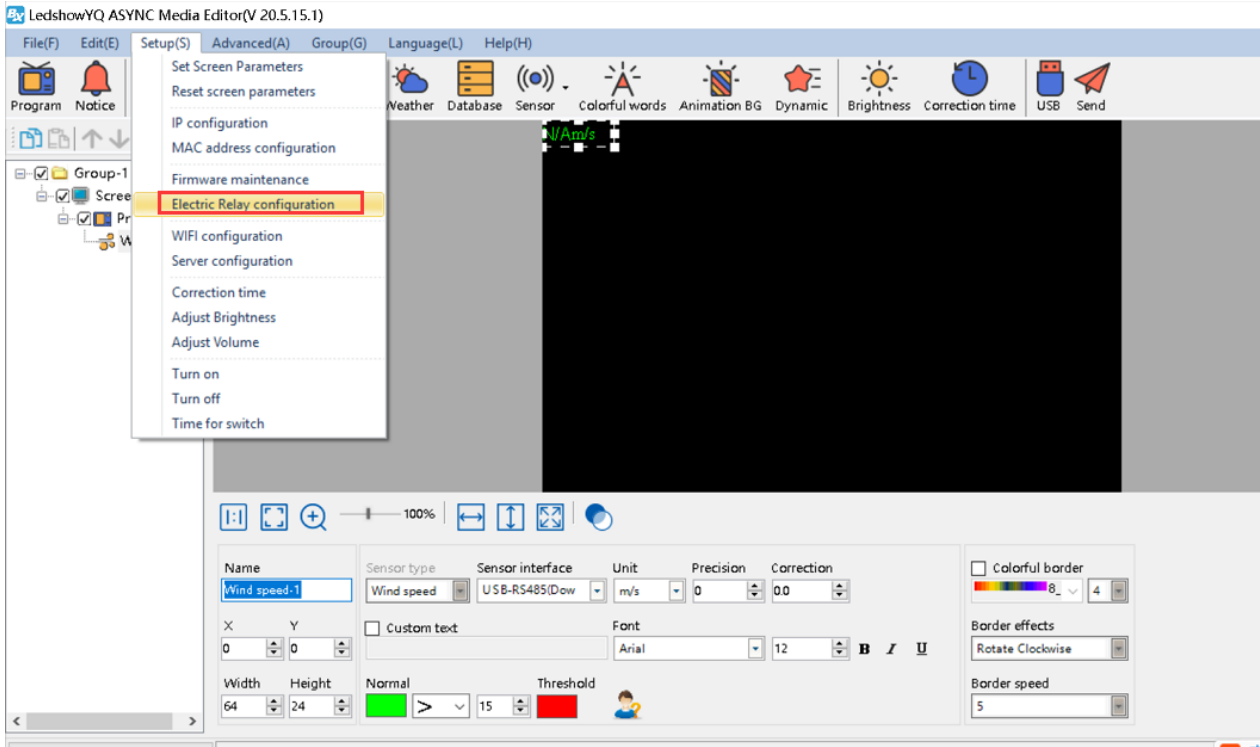
3. Y1A connects with relay module:

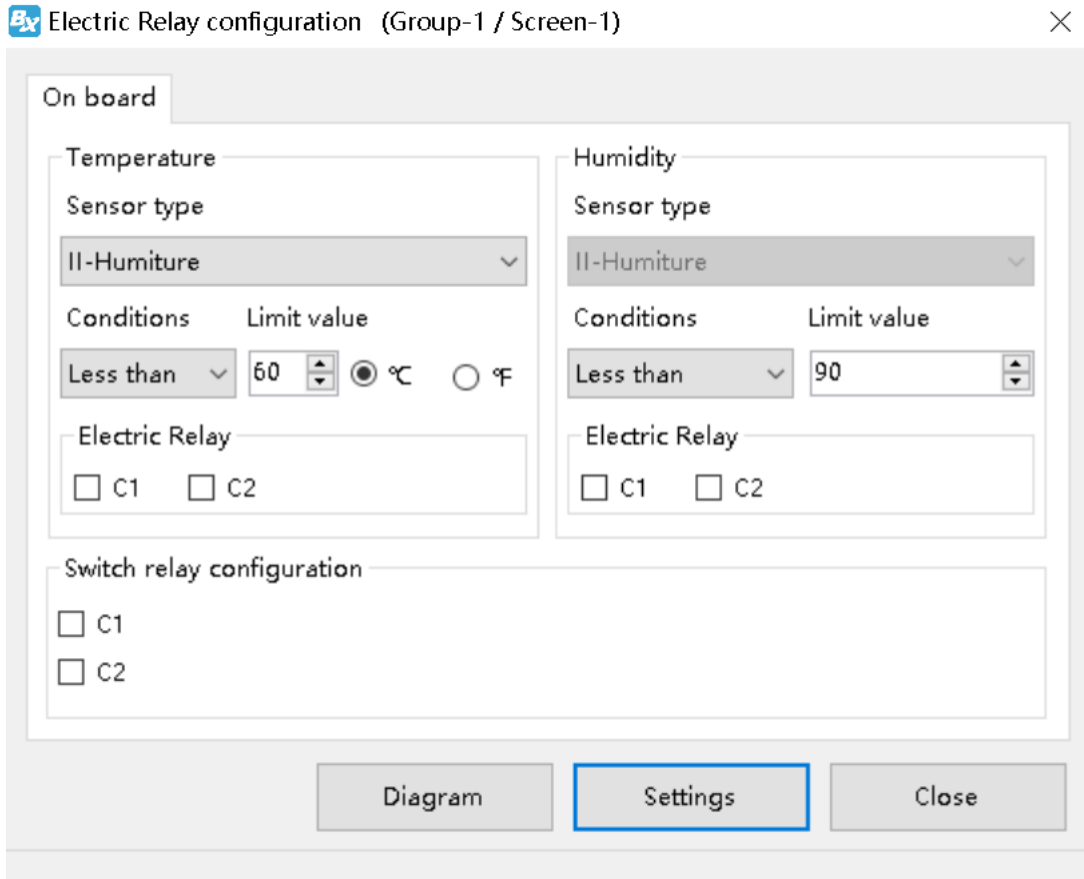
Please check the below picture, connect S/S、X1、X2 ports on relay module with “switch” port on controller



4. Relay configuration in software

Start LedshowYQ 2018---Add a program---Select “Electric Replay configuration” under “setup” --- input passwords 888--- select on board--- set the parameters.

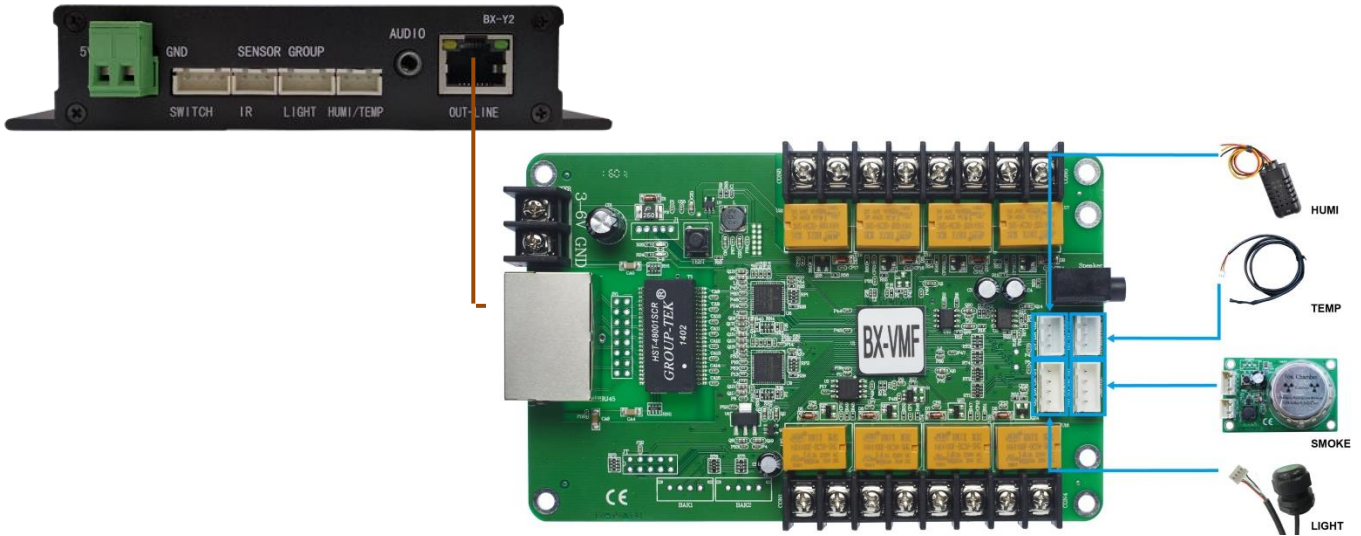




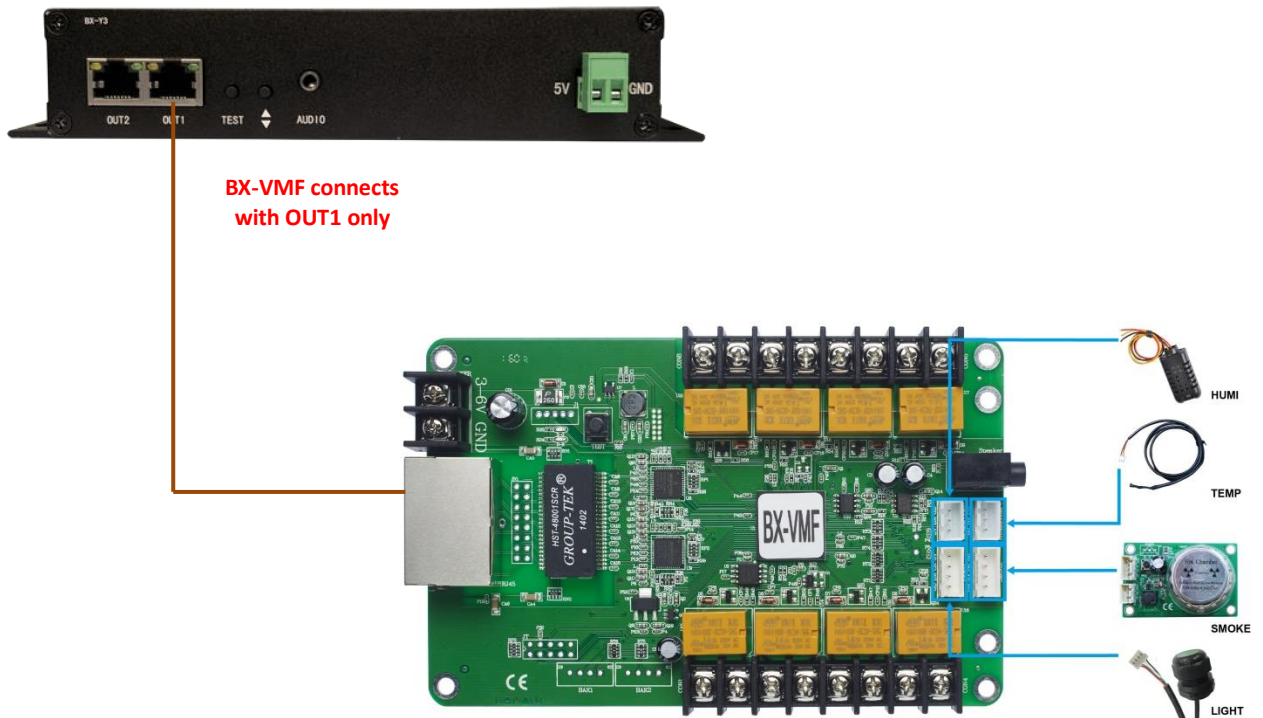
Y series connect with VMF

1. Y2\Y2L series port

Connect BX-VMF with controller by LAN cable, then, connect each sensor to the corresponding port on BX-VMF. Brightness sensor - "LIGHT"; Temperature & Humidity sensor "HUMI&TEMP1"; Temperature sensor "HUMI&TEMP2"; Smoke sensor - "SMOKE".

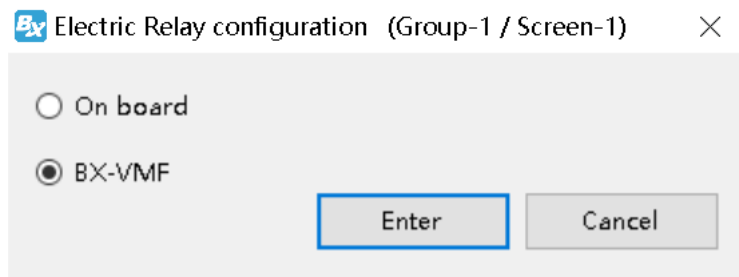
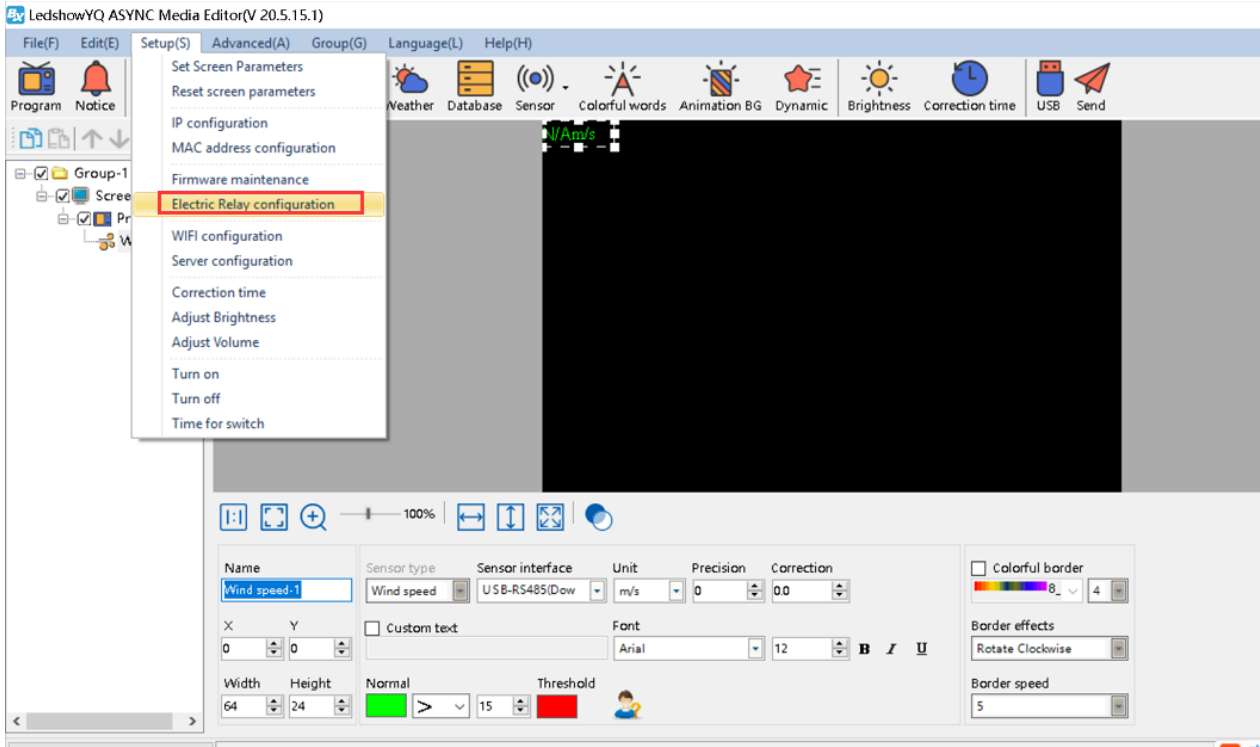


2. Y3 series port



3. Relay configuration in software

Start LedshowYQ 2018--- Add a program--- Select "Electric Relay Configuration" --- input passwords 888--- select "BX-VMF" --- set the parameters.



On board

Temperature		Humidity	
Sensor type		Sensor type	
II-Humiture		II-Humiture	
Conditions	Limit value	Conditions	Limit value
Less than	60	Less than	90
<input checked="" type="radio"/> °C <input type="radio"/> °F			
Electric Relay		Electric Relay	
<input type="checkbox"/> C1 <input type="checkbox"/> C2		<input type="checkbox"/> C1 <input type="checkbox"/> C2	

Switch relay configuration

C1
 C2

Diagram Settings Close

Shanghai ONBON Technology Inc.

Address: 7 Floor, Tower 88, 1199#, North Qinzhou Road,
Xuhui District, Shanghai City, China

Website: www.onbonbx.com



ONBON Wechat number

ONBON (Jiangsu) Optoelectronic Industrial Co.,LTD

Address: 1299#, Fuchun Jiang Road, Kunshan City,
Jiangsu Province, China